

LIGHT ECO *plus*



SAVINGS YOU CAN SEE!

THE PROVEN ENERGY AND COST SAVER FOR FLUORESCENT AND HIGH BAY LIGHTING.
ANOTHER BRIGHT IDEA FROM TRUSTED ENERGY EFFICIENT LIGHTING PROVIDER, ILUM-A-LITE...

- SAVE UP TO 30% ON YOUR LIGHTING COSTS AND SEE YOUR ELECTRICITY BILL SLASHED
- SEE WHAT YOU SAVE AT A GLANCE OR DOWNLOAD SAVINGS HISTORY
- REDUCE YOUR IMPACT ON THE ENVIRONMENT BY CUTTING GREENHOUSE GAS EMISSIONS
- ACHIEVE ADDITIONAL SAVINGS THROUGH REDUCED AIR CONDITIONING ENERGY CONSUMPTION
- FAST RETURN ON INVESTMENT - TYPICAL PAYBACKS WITHIN 18 TO 22 MONTHS
- QUICK AND EASY TO INSTALL WITH MINIMAL DISRUPTION
- OVER 60,000 INSTALLATIONS WORLDWIDE - ENERGY SAVING EQUIVALENT TO THE ANNUAL OUTPUT OF TWO 600 MEGAWATT POWER STATIONS
- SUITABLE FOR ANY SPACE THAT USES FLUORESCENT LIGHTING SUCH AS OFFICES, WAREHOUSES, SHOPS AND FACTORIES
- WORLD LEADING TECHNOLOGY AND INNOVATION, DESIGNED AND MANUFACTURED IN AUSTRALIA

LIGHT ECO PLUS AT WORK

Light Eco Plus is a cost effective and compact controller that delivers significant energy savings by controlling the amount of electricity that reaches a fluorescent lighting circuit.

After fluorescent lights have been switched on and warmed up, they can operate effectively on a reduced power supply.

Light Eco Plus works by allowing lights to turn on at the standard utility voltage and then reducing the electricity supply to economy mode.

With Light Eco Plus the savings are easy to see. The LCD panel on the device clearly shows the savings being made and the information is stored so that the savings history is available for download*.

*Requires optional hardware and software

A CASE IN POINT

20 fully loaded Light Eco Plus devices installed in a factory with 1400 tubes operating for 20 hours a day would achieve:

→ **\$15,000 saving on the annual electricity bill**

→ **CO₂ reduction of 120 tonnes**

→ **100% return on investment in 12 months***

* saving based on average kilowatt hour price of 10c

RELIABLE, STABLE AND CONSISTENT

The intelligent design of LightEco Plus can sense a change in energy demand and switch back to mains voltage where necessary. With LightEco Plus, system-wide failure is eliminated by intelligently bypassing to mains power if overload or low voltage is detected.

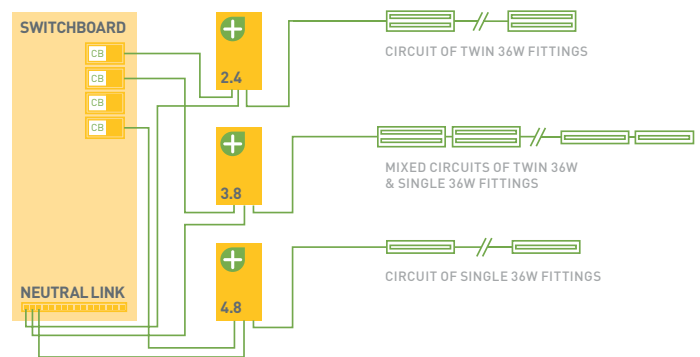
TECHNICAL INFORMATION

For detailed technical specifications visit www.ilumalite.com or contact Ilum-a-Lite direct, or an Authorised Distributor.

EASY TO INSTALL

Light Eco Plus is easily installed into existing fluorescent lighting circuits and can be installed by an electrician in less than 30 minutes. Interruption and lighting downtime is a matter of minutes.

Light Eco Plus is designed for retrofitting into existing installations eliminating the need for expensive modifications. Once installed there are no ongoing costs – only ongoing savings.



AVAILABLE MODELS

Models from 2.4 to 4.8 KVA are standard. Larger models are available. Ask your local representative for details.

Standard model features LCD display panel. A programmable and downloadable option is available as an extra.

A bypass switch to allow manual bypass of economy mode during lighting maintenance is standard with automatic return to economy mode after a set period of time.

External control of Light Eco Plus is possible allowing the units to be controlled by timer, daylight sensor or Building Management System. For details contact your local representative.

Daylight harvesting is possible using the external control facility and is the primary application with high bay lighting.

Extra sensitive current sensing is programmable. Normally Light Eco Plus will sense the switching of 6 twin fluorescent light fittings (about 3 amps). Extra sensitive models will detect smaller loads as little as two twin fittings.



ILUM-A-LITE PTY LTD
Unit 6, 7-9 Seven Hills Rd
Baulkham Hills NSW
Australia 2153
www.ilumalite.com



DISTRIBUTED BY:



P: 1800 133 666
F: +61 2 9639 6192
E: sales@ilumalite.com